



A Step to More Security

Gege Security Door Furniture





Security Door Furniture with adjustable rosette
Series 2600, chrome plated.
Also available for EN 179



Fire



Burglary Protection



Emergency exits



Security Door Furniture with adjustable rosette
Series 2600, solid brass.
Also available for EN 179.



Fire



Burglary Protection



Emergency exits

Security with Style

Gege Security Door Furniture

Series 2600

Burglary resistant	Austrian Standard B5351	Protection grade WB2		Technical data: <ul style="list-style-type: none"> • Outside shield with completely hardened steel plate • Hardened steel rosette in the outside shield; adjustable to cylinder standoff with support rings. • Special-threaded sleeves for protection against drilling, sawing and grinding attacks • Suitable for door thicknesses from 37 to 82 mm Please specify door thickness when ordering.
Fire retardant	Austrian Standard B3859	30 min		
Center distance	Available rosettes for:	CD = 72 mm \varnothing 15/13.5 mm	ROS.ZK.15. ROS.ZK.13. ROS.AK.	
		CD = 85 mm \varnothing 15/13.5 mm		
		CD = 3.46 in \varnothing 15/13.5 mm		
		CD = 3.62 in \varnothing 15/13.5 mm		
		CD = 3.54 in \varnothing 13.5 mm	ROS.ZK.13. ROS.AK.	
Surface finishes - configurations	Chrome plated (CH) Bronze powdered (PATP) Solid brass (MP)			



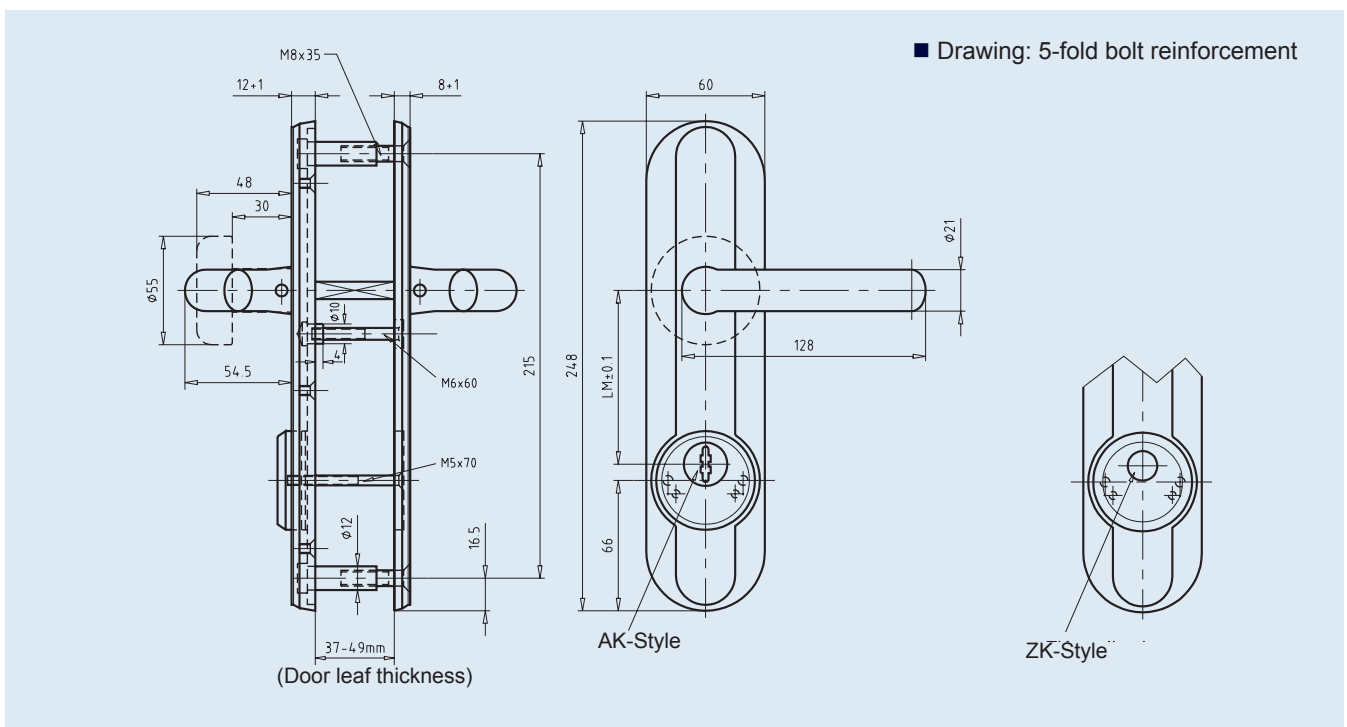
Lever handle/Lever handle, 2600.D.ZK



Knob/Lever handle, 2600.BD.ZK



Handle/Lever handle, 2600.BD.ZK





Aluminium Security Door Furniture
Handle/Lever handle , 800.BD
Series 800



Fire



Burglary
Protection



Emergency
exits



Aluminium Security Door Furniture
Lever handle/lever handle
850.DD
Series 850



Burglary
Protection

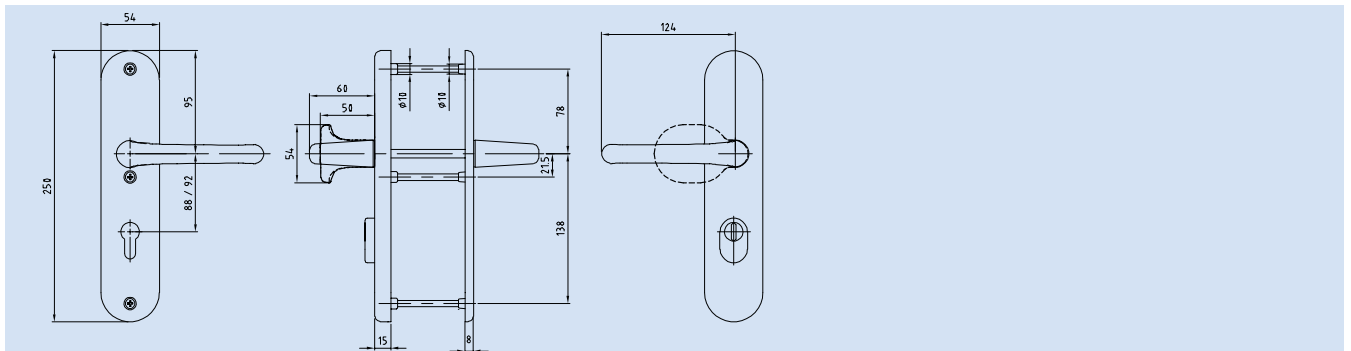
Security Door Furniture Series 800 WB2/WB3/WB4 with anti core pulling rosette

For home and apartment front doors

Configurations: Lever handle/Lever handle (DD), Rigid handle/Lever handle (BD)

- 3-fold bolting from the inside, anti core pulling rosette in the outside plate
The rosette is spring adjusted to the outside cylinder standoff.
A cylinder standoff of 11-16 mm is possible, (inside shield height 8mm)
- Door furniture is available in protection grades WB 2, WB 3 and WB 4
- Suitable for emergency exit doors according to EN 179 when used with Gege mortise door locks
- Can be used for door widths form 37–87 mm. Please specify the door thickness when ordering

Burglary resistant	Austrian Standard 85351	Protection Grade WB2, WB3, WB4	Technical data: <ul style="list-style-type: none"> • Core pulling protection • The rosette is spring adjusted to the outside cylinder standoff (protection against tearing off the lock cylinder) • Screws and change pins for door thicknesses 67-72 mm are included. • Solid aluminium door furniture
Fire retardant	Austrian Standard / CD88		
Center distance	Austrian Standard DIN Standard	CD = 3.46 in \varnothing 8.5 mm CD = 92 mm \varnothing 0.39 in	
Outside cylinder standoff		11.0 to 0.63 in	



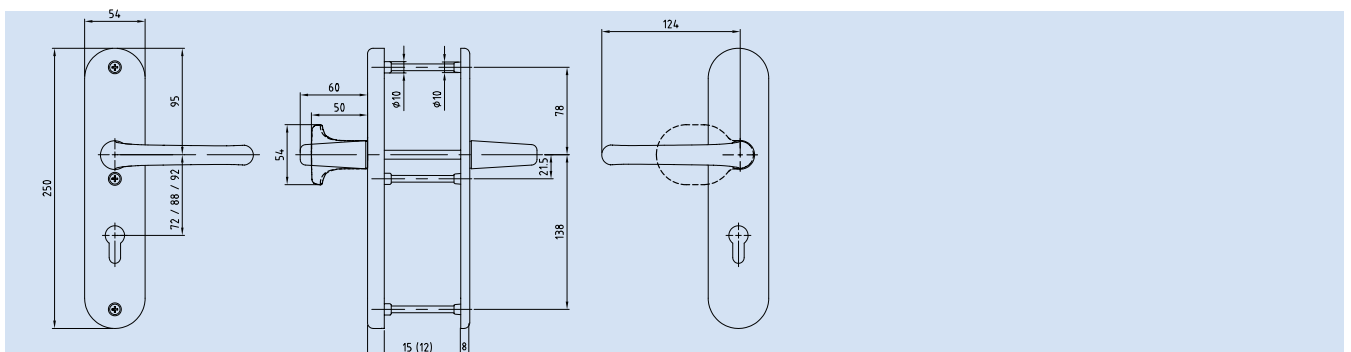
Security door furniture series 850

For home and apartment front doors

Configurations: Lever handle/Lever handle (DD), Rigid handle/Lever handle (BD)

- 3fold screw fastening from the inside (inside shield height 8mm)
- Outside shield punched for Europrofile cylinder (height 12 or 15mm)
- Can be used for door widths form 37–87 mm. Please specify the door thickness when ordering

Burglary resistant	Austrian Standard EN 1906	Security Grade 1	Technical data: <ul style="list-style-type: none"> • Core pulling protection • The rosette is spring adjusted to the outside cylinder standoff (protection against tearing off the lock cylinder) • Screws and change pins for door thicknesses 67-72 mm are included. • Solid aluminium door furniture
Center distance	Austrian Standard- DIN Standard	CD = 3.46 in \varnothing 8.5 mm CD = 92 mm \varnothing 0.39 in CD = 72 mm \varnothing 0.31 in	
Outside shield height		12/15 mm	



Inside Door Shield Set Series 850.8

Inside door set series 850.8 for inside doors

Configurations: Euro profile cylinder hole (PZ), Bit key hole (BB), WC style (WC)

- Same lever handle design as series 800 and 850
- 4 Fastening screws



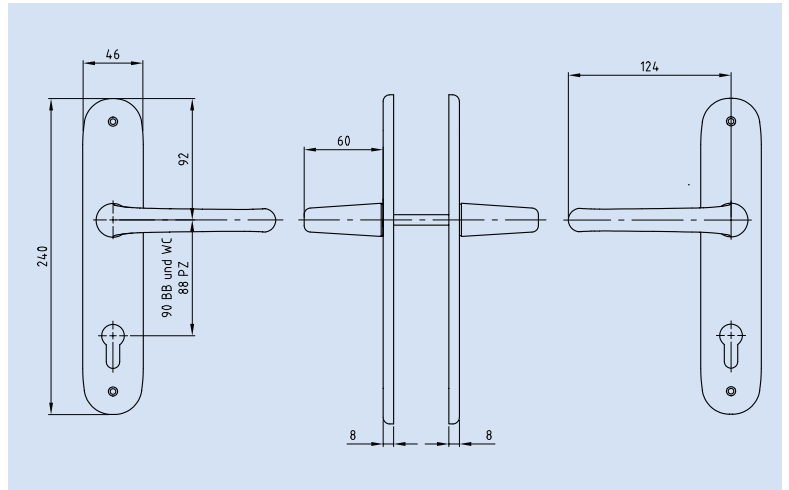
Emergency exits



850.BB.8.F1



850.PZ.8.F1



Inside door shield set series 870

Inside door set series 870 for inside doors

Configurations: Euro profile cylinder hole (PZ), Bit key hole (BB), WC style (WC)

- Same lever handle design as series 800 and 850
- With anti turn safety device
- 2 Fastening screws



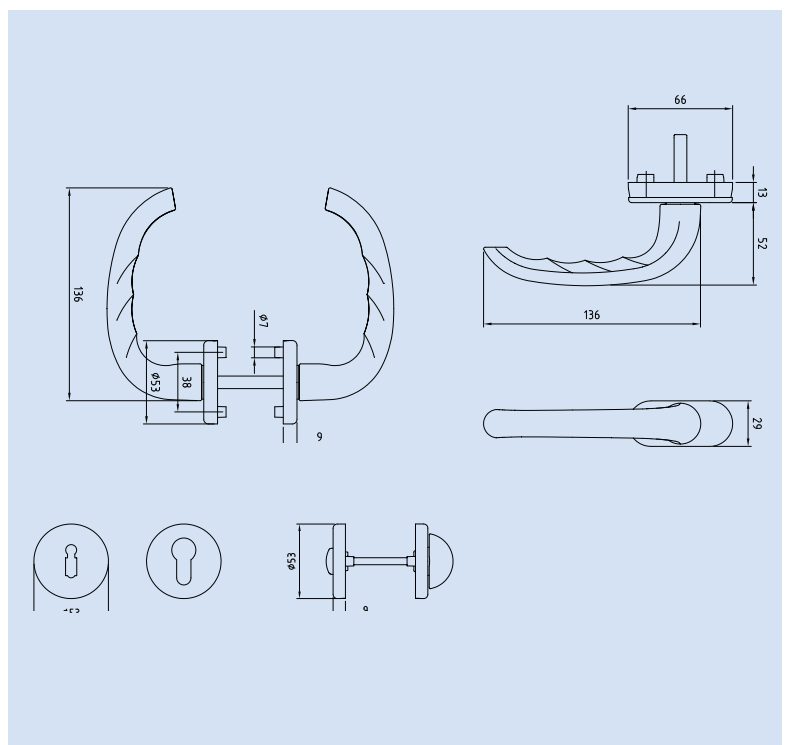
Emergency exits



870.BB.F1



870.FO
Window olive

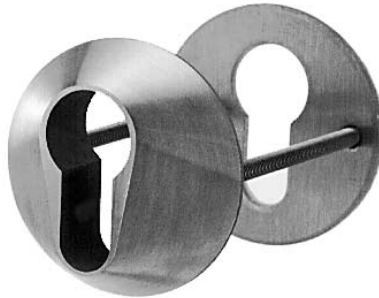


Security rosettes, stainless steel

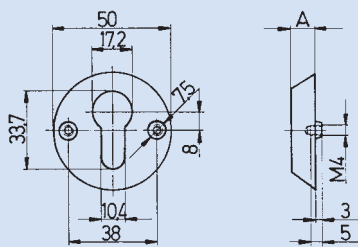
Security rosettes Made of stainless steel	<ul style="list-style-type: none"> • Stainless steel, annealed and hardened • with inside rosette
Surface finishes	silver colored (SI) gold plated (VG)
Rosette heights	6, 8, 10, 12, 14, 16, 18 und 20 mm



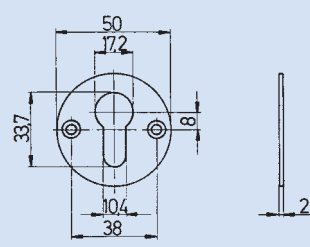
ROS.O
Security rosette oval



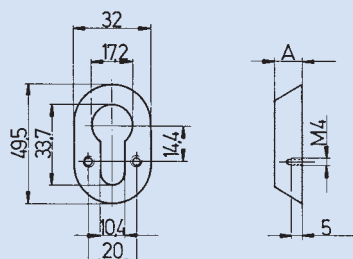
ROS.R
Security rosette round



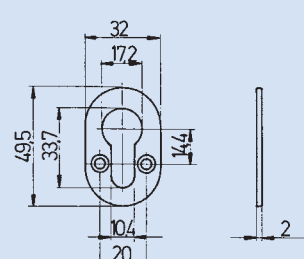
Outside rosette
ROS.R.



Inside rosette
ROS.IR.R.



Outside rosette
ROS.O.



Inside rosette
type ROS.IR.O.

Authorized dealer:



Certified Management System
ISO 9001:Reg No. Q1530367

Technical changes reserved

